



Description

Patented universal modular plenum for ducted machines, which can be installed in the supply line to most machines on the market. ClimaBox is composed by a mounting kit including an insulated galvanized sheet box with 2 short side pre-sheared holes, two pre-insulated panels, an adjustable flange in height and length and 3, 4, 5 or 6 collars for duct flex. ClimaBox is available in six different sizes to satisfy the largest possible number of variants on the market. Compatible with OPAL systems.

Characteristics

Material:

- Structure in insulated galvanized sheet
- Two pre-insulated panels (front and rear)
- 3, 4, 5 or 6 channels collars for duct flex
- PATENTED Extensible flange both in height and in length in galvanized steel.

Video tutorial assembly instructions



Versions

The available versions are:

- CLIMABOX-1A-1B-1C Plenum with 3 connections, 3 duct collars male / female, two pre-insulated panels and a small adjustable flange.
- CLIMABOX-2A Plenum with 4 connections, 4 duct collars male / female, two pre-insulated panels and a small adjustable flange.
- CLIMABOX-3A Plenum with 4 connections, 4 duct collars male / female, two pre-insulated panels and a medium adjustable flange.
- CLIMABOX-4A Plenum with 4 connections, 4 duct collars male / female, two pre-insulated panels and a large adjustable flange.
- CLIMABOX-5A-5B Plenum with 5 attachments, 5 duct collars male / female, two pre-insulated panels and a medium adjustable flange.
- CLIMABOX-6A-6B Plenum with 6 attachments, 6 duct collars male / female, two pre-insulated panels and a large adjustable flange.

use

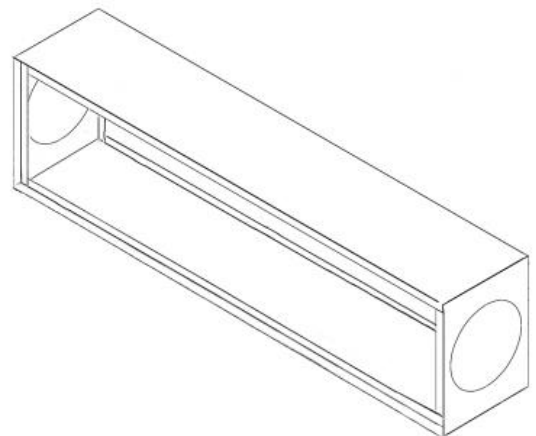
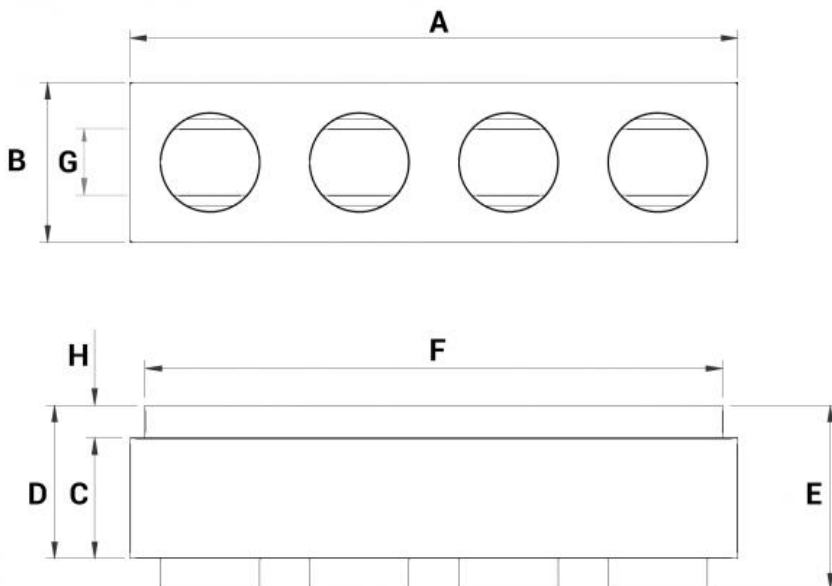
Installation on ducted machines for air conditioning and heating.

Accessories

Collar for lateral by-pass of the box diameter 150 mm male / female.

Price and dimensions

Modello CLIMABOX	A	B	C	D	E	FLANGIA	Estensione della flangia				H	Numero attacchi regolabili Ø 150 mm		Euro
							F lunghezza		G altezza			maschio / femmina		
							Estensione	Estensione	Estensione	Estensione				
min	max	min	max											
CLIMABOX P1A	750	275	240	275	350	FLANGIA A	400	675	130	200	37	3	✓	
CLIMABOX P1B	750	275	240	275	350	FLANGIA B	400	675	100	160	37	3	✓	
CLIMABOX P1C	750	275	240	275	350	FLANGIA C	330	620	130	200	37	3	✓	
CLIMABOX P2A	910	275	240	275	350	FLANGIA A	400	760	130	200	37	4	✓	
CLIMABOX P3A	940	275	240	275	350	FLANGIA A	570	865	130	200	37	4	✓	
CLIMABOX P4A	940	300	240	275	350	FLANGIA A	570	865	145	225	37	4	✓	
CLIMABOX P5A	1175	275	240	275	350	FLANGIA A	570	1100	130	200	37	5	✓	
CLIMABOX P5B	1175	275	240	275	350	FLANGIA B	570	1100	100	160	37	5	✓	
CLIMABOX P6A	1440	300	240	275	350	FLANGIA A	740	1365	145	225	37	6	✓	
CLIMABOX P6B	1440	300	240	275	350	FLANGIA B	740	1365	100	160	37	6	✓	



Special features of the 150 mm diameter collars:

The CLIMABOX supply includes 150 mm diameter collars that can be adjusted by the installer both as a male and as a female coupling. In the case of direct connection to the flexible hose, the collar must be folded into the holes that make the collar diameter narrower, while in the case of installation of the OPAL system dampers it will be necessary to fold the collar back into the holes that make the diameter wider.

Accessories

Modello	Descrizione	Euro
EACO-PLUS	collare regolabile per by-pass Ø 150 mm maschio/femmina	▼