

# EDLH

Hidden multi-slot linear diffusers

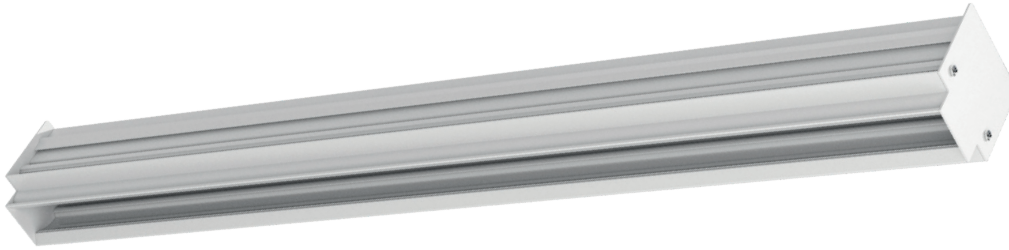
**Technical data sheet**

Rev.03



# EDLH-EDLHB

## 1 SLOT



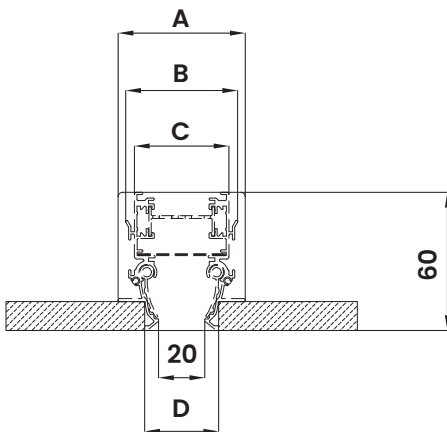
### 1 SLOT

Slot width	L	A	B	C	D	Number of mounting bridge	Effective cross-section m <sup>2</sup>	Air flow and throw							
<b>20 MM</b>	800	55	48	41	34	2	0,0097	m <sup>3</sup> /h	70	105	140	175	210	245	
	1000								L(m)	1,8	2,7	3,6	4,5	5,4	6,3
	1200							1,6		2,5	3,4	4,2	5	5,8	
	1500									noise level	dB(A)	<20	22	32	37
	2000							m/s	2		3	4	5	6	7
<b>Vk</b>								m/s	2	3	4	5	6	7	
<b>Pressure drop</b>								Pa	7	15	26	41	59	80	

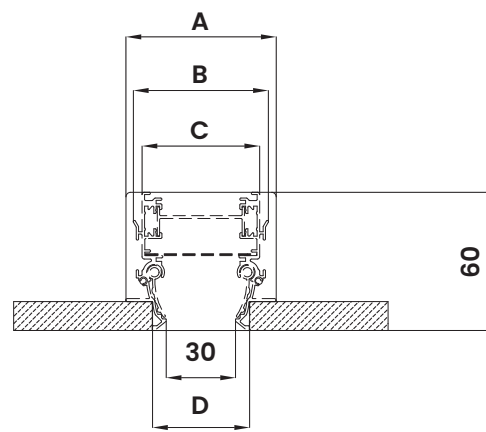
### Operating data

Data referring to 1 m long diffusers, with a terminal throw speed  $V_t=0.25$  m/s, in ceiling installations and with lateral launch with coanda effect. Data referring to diffusers without damper and with deflectors in the working position with a 50% reduction of the air passage surface. The position of the deflectors reduces the effective cross-section. When the deflectors are fully open, or when the diffuser is used for exhaust air, the flow rates (expressed in m<sup>3</sup>/h) indicated in the table can change.

**Vk** (m/s) effective speed  
**m<sup>3</sup>/h** air flow rate  
**Pa** pressure drop  
**L(m)** air throw  
**dB(A)** noise level



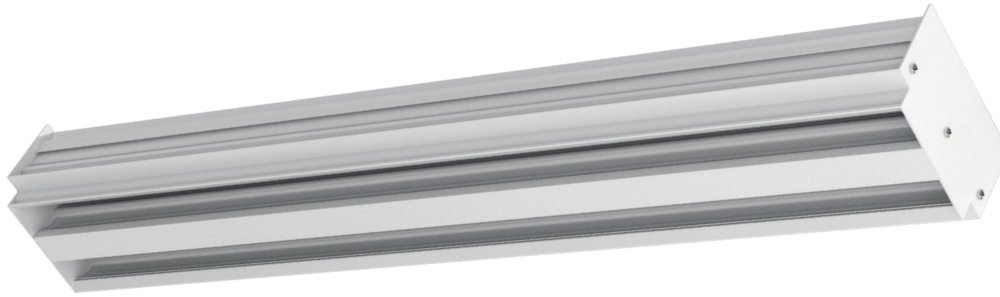
SLOT 20mm  
EDLH FA



SLOT 30mm  
EDLH FB

# EDLH-EDLHB

## 2 SLOTS



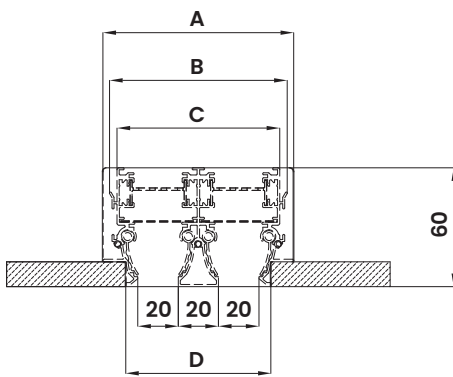
### 2 SLOTS

Slot width	L	A	B	C	D	Number of mounting bridge	Effective cross-section m <sup>2</sup>	Air flow and throw										
<b>20 MM</b>	800	95	88	81	74	2	0,0194	m <sup>3</sup> /h	140	210	280	350	420	490				
	1000								L(m)	2,6	3,9	5,1	6,4	7,7	9,0			
	1200							2000		2	0,0292	m <sup>3</sup> /h	210	316	420	524	630	736
	1500												L(m)	2,3	3,6	4,9	6,0	7,1
	2000							noise level	dB(A)	<20	24	34		39	46	50		
Vk								m/s	2	3	4	5	6	7				
Pressure drop								Pa	7	15	26	41	59	80				

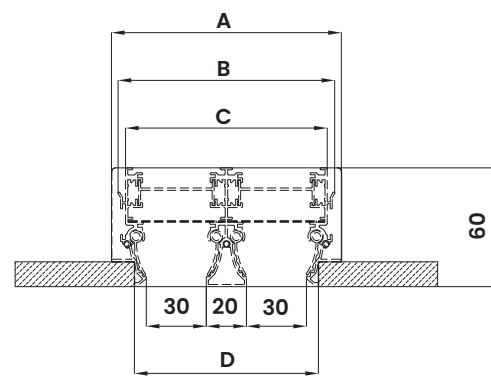
### Operating data

Data referring to 1 m long diffusers, with a terminal throw speed  $V_t=0.25$  m/s, in ceiling installations and with lateral launch with coanda effect. Data referring to diffusers without damper and with deflectors in the working position with a 50% reduction of the air passage surface. The position of the deflectors reduces the effective cross-section. When the deflectors are fully open, or when the diffuser is used for exhaust air, the flow rates (expressed in m<sup>3</sup>/h) indicated in the table can change.

- Vk** (m/s) effective speed
- m<sup>3</sup>/h** air flow rate
- Pa** pressure drop
- L(m)** air throw
- dB(A)** noise level



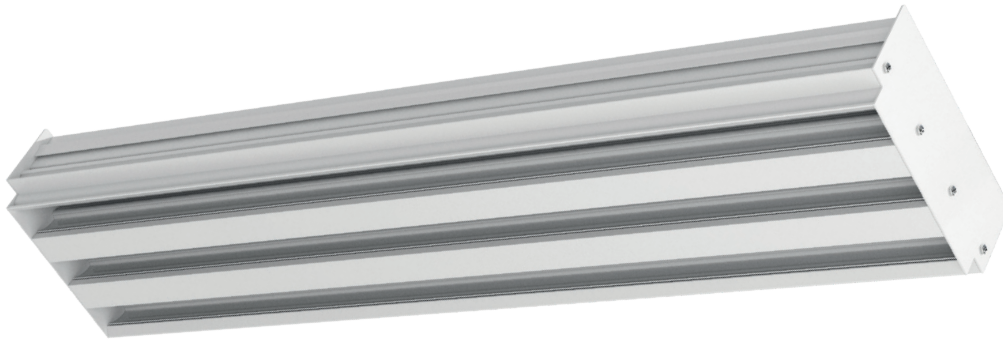
SLOT 20mm  
EDLH FA



SLOT 30mm  
EDLH FB

# EDLH-EDLHB

## 3 SLOTS



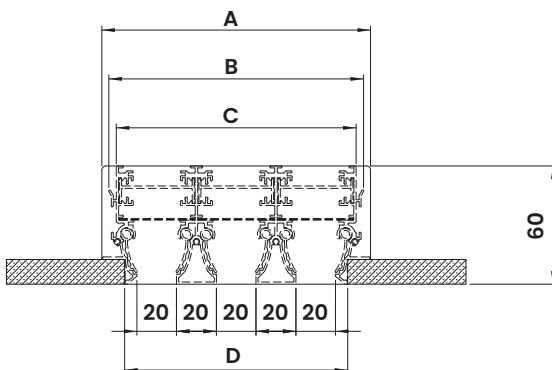
### 3 SLOTS

Slot width	L	A	B	C	D	Number of mounting bridge	Effective cross-section m <sup>2</sup>	Air flow and throw											
<b>20 MM</b>	800	135	128	121	114	2	0,0291	m <sup>3</sup> /h	210	315	420	525	630	735					
	1000							L(m)	3,9	5,8	7,7	9,6	11,6	13,5					
	1200					3		165	158	151	144	0,0438	m <sup>3</sup> /h	305	474	630	786	945	1104
	1500												L(m)	3,4	5,4	7,3	9,0	10,7	12,4
	2000												noise level	dB(A)	<20	26	36	41	48
<b>Vk</b>													m/s	2	3	4	5	6	7
<b>Pressure drop</b>													Pa	7	15	26	41	59	80

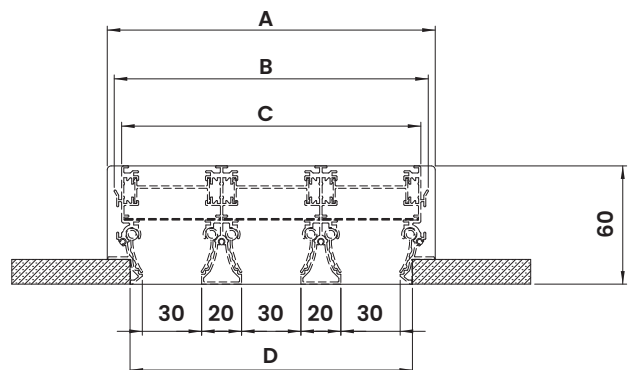
### Operating data

Data referring to 1 m long diffusers, with a terminal throw speed  $V_t=0.25$  m/s, in ceiling installations and with lateral launch with coanda effect. Data referring to diffusers without damper and with deflectors in the working position with a 50% reduction of the air passage surface. The position of the deflectors reduces the effective cross-section. When the deflectors are fully open, or when the diffuser is used for exhaust air, the flow rates (expressed in m<sup>3</sup>/h) indicated in the table can change.

- Vk** (m/s) effective speed
- m<sup>3</sup>/h** air flow rate
- Pa** pressure drop
- L(m)** air throw
- dB(A)** noise level



SLOT 20mm  
EDLH FA

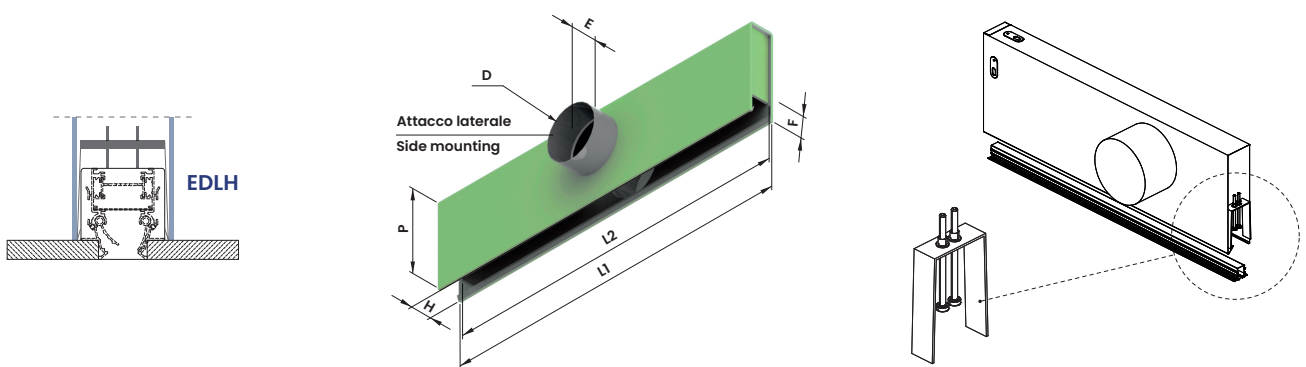



SLOT 30mm  
EDLH FB

# PLENUM BOX DIMENSIONS AND MOUNTING BRIDGE SYSTEM


Galvanized steel plenum, available both without insulation and with external expanded polyethylene insulation to ensure enhanced thermal performance. Designed for continuous diffuser installation, it is equipped with integrated fixing brackets that provide

stability and quick installation. The connection between the diffuser and the plenum is achieved through practical fixing bridges that hook into the dedicated structural folds, ensuring simple, secure, and precise mounting.




EDLS - EDLH	1 SLOT	L	L1	L2	No. of connections	Ø d	P	H	E	F
	20 MM	800	800	770	1	145	240	65	80	49
		1000	1000	970	1					
		1200	1200	1170	2					
		1500	1500	1470	2					
		2000	2000	1970	2					
	30 MM	800	800	770	1	145	240	75	80	49
		1000	1000	970	1					
		1200	1200	1170	2					
		1500	1500	1470	2					
		2000	2000	1970	2					

EDLS - EDLH	2 SLOTS	L	L1	L2	No. of connections	Ø d	P	H	E	F
	20 MM	800	800	770	2	145	300	105	80	49
		1000	1000	970	2					
		1200	1200	1170	2					
		1500	1500	1470	2					
		2000	2000	1970	2					
	30 MM	800	800	770	2	198	300	125	80	49
		1000	1000	970	2					
		1200	1200	1170	2					
		1500	1500	1470	2					
		2000	2000	1970	2					

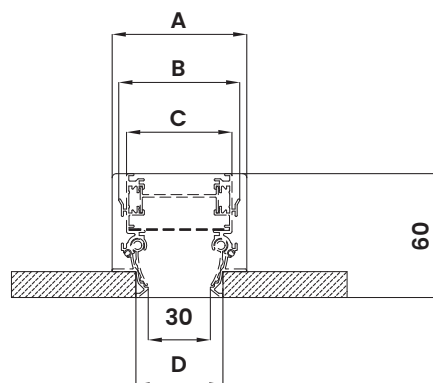
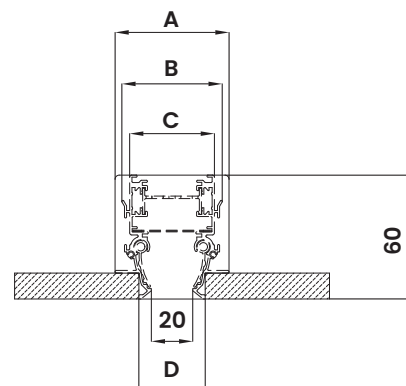
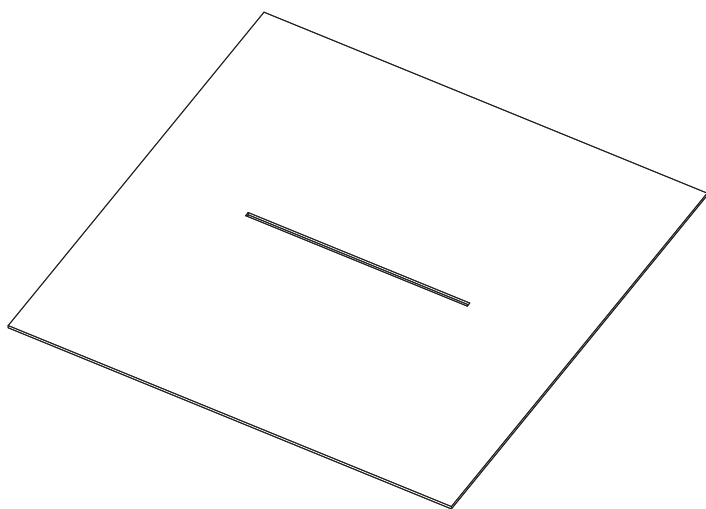
  

EDLS - EDLH	3 SLOTS	L	L1	L2	No. of connections	Ø d	P	H	E	F
	20 MM	800	800	770	2	198	300	145	80	49
		1000	1000	970	2					
		1200	1200	1170	2					
		1500	1500	1470	2					
		2000	2000	1970	2					
	30 MM	800	800	770	2	198	300	165	80	49
		1000	1000	970	2					
		1200	1200	1170	2					
		1500	1500	1470	2					
		2000	2000	1970	2					

# INSTALLATION EDLH-EDLHB

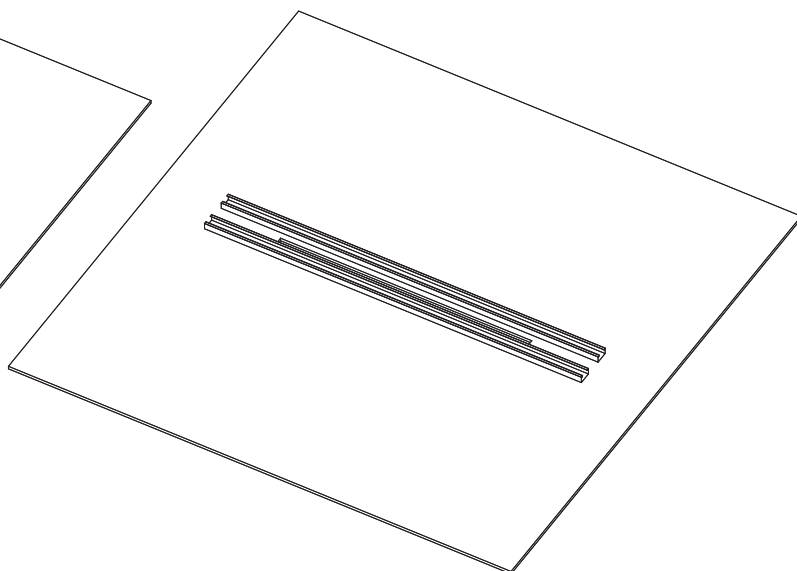
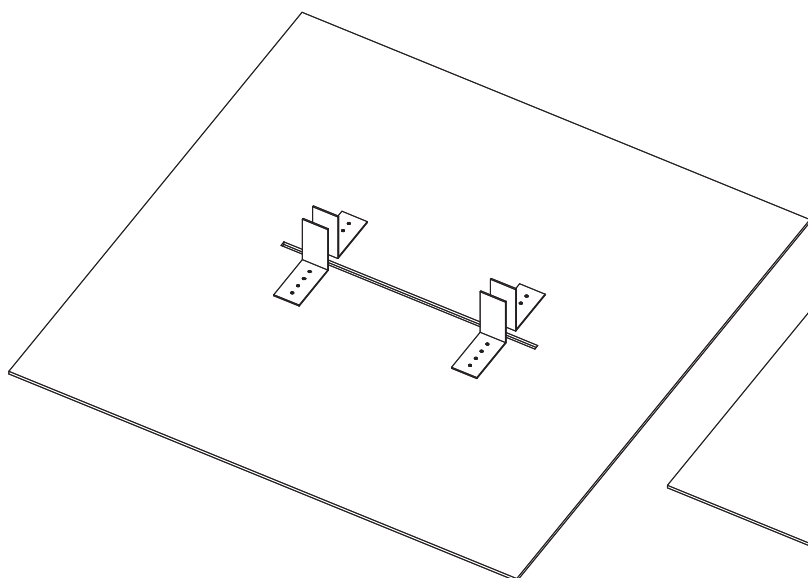
1

Prepare the hole on the plasterboard sheet with a width equal to the "D" dimension, depending on the model and the number of slots, and with a length equal to "L":



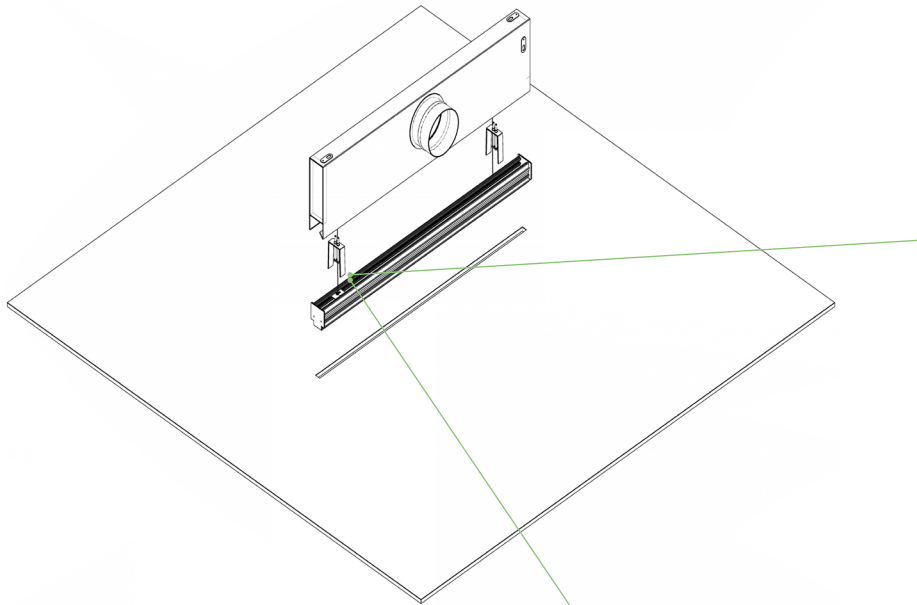
2

On the sides of the hole, install two supports, with plasterboard structures or brackets (not supplied with the plenum):

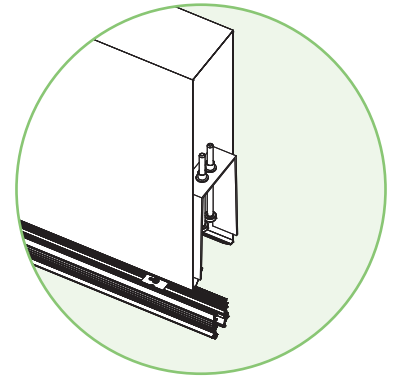


## 3

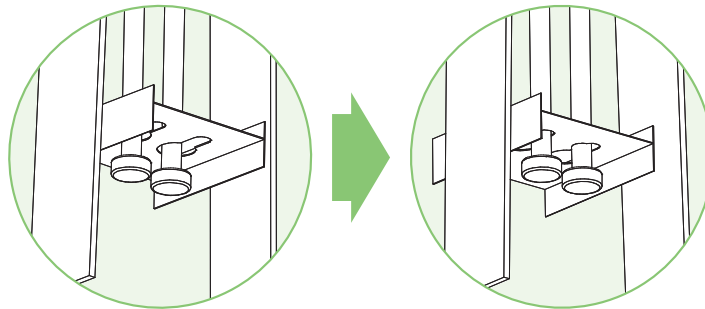
Install the diffuser inside the plenum with the fixing bridges:



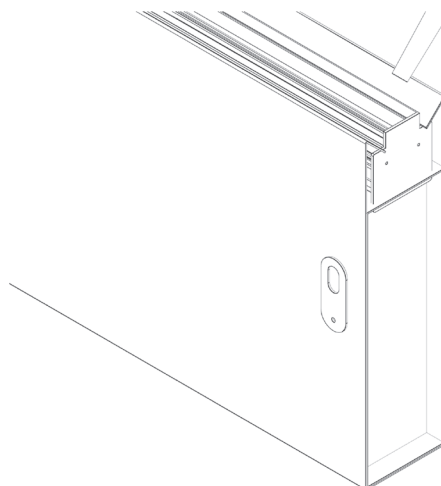
The fixing bridge must be inserted inside the plenum and connected to the diffuser, using the screws supplied, as indicated in section:



The screws of the fixing bridge must be passed through the plates with eyelets present in the diffuser:

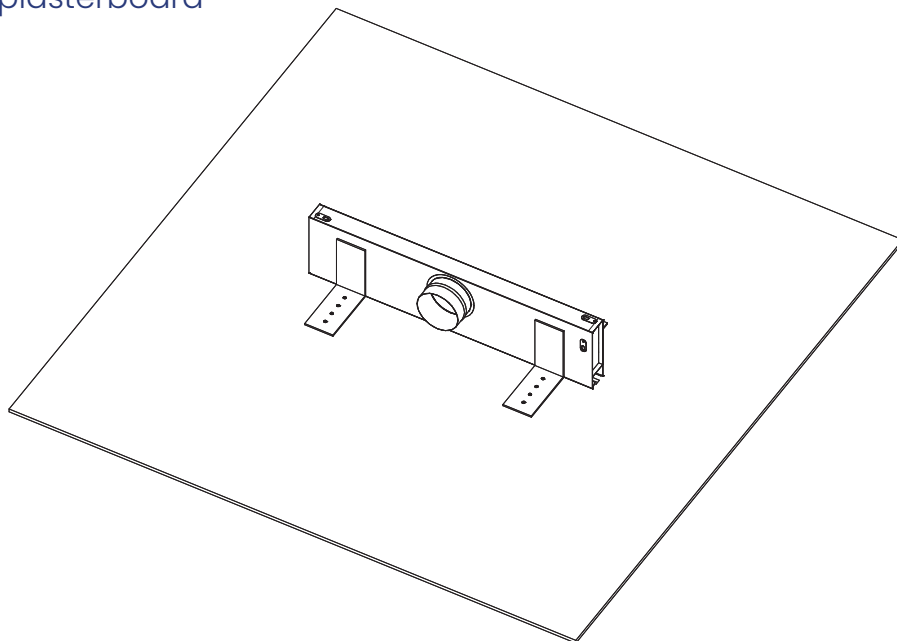


In the case of leakage, silicone can be used between the plenum and the diffuser:



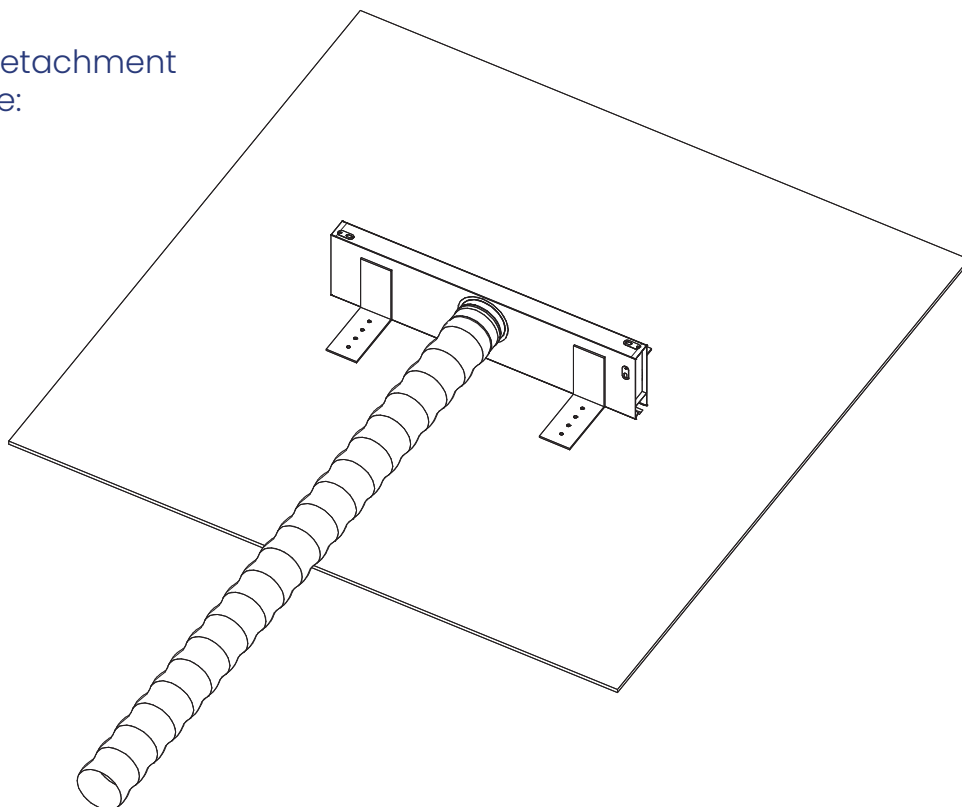
## 5

The plenum is installed on the plasterboard and fixed to the brackets:



## 6

Connect the hose to the detachment and secure with a cable tie:

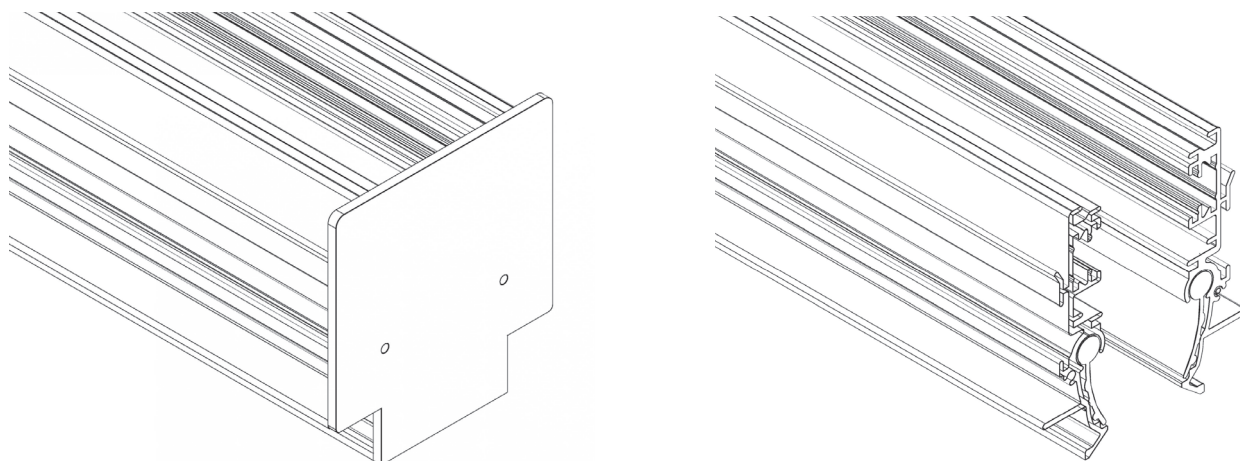


## 7

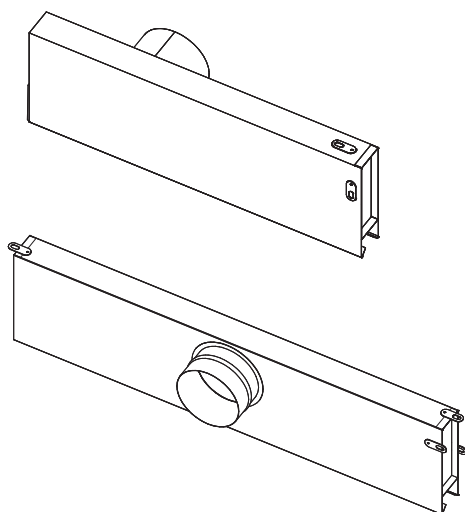
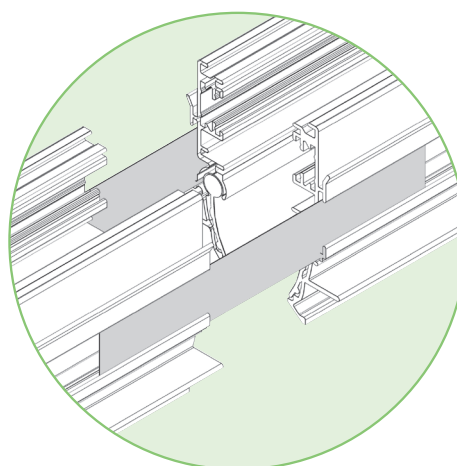
Skim on the bottom.

## 8

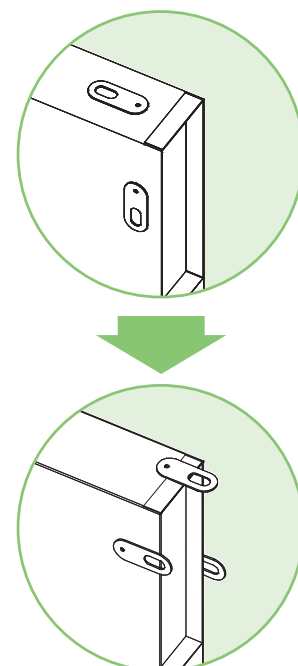
In the case of continuous installation, the diffusers are placed next to each other and connected via the continuity kit after removing the closing head:



The plates of the continuity kit must then be inserted and the two diffusers hooked up:



The plenums are equipped with fixing plates that must be rotated to facilitate the maintenance of linearity in the case of continuous installation:



# CODE

## How to order

EDLH10	FA	1000	1F
<p style="text-align: center;">↓</p> <p><b>EDLH10-FA / EDLHB10-FA</b> hidden linear diffusers 20 mm slot without deflectors (exhaust).</p> <p><b>EDLH20-FA / EDLHB20-FA</b> hidden linear diffusers 20 mm slot with deflectors (supply).</p> <p><b>EDLH30-FA / EDLHB30-FA</b> hidden linear diffusers 20 mm slot without deflectors, with sliding damper (exhaust).</p> <p><b>EDLH40-FA / EDLHB40-FA</b> hidden linear diffusers 20 mm slot with deflectors and sliding damper (supply).</p> <p><b>EDLH10-FB - EDLHB10-FB</b> hidden linear diffusers 30 mm slot without deflectors (exhaust).</p> <p><b>EDLH20-FB - EDLHB20-FB</b> hidden linear diffusers 30 mm slot with deflectors (supply).</p> <p><b>EDLH30-FB - EDLHB30-FB</b> hidden linear diffusers 30 mm slot without deflectors, with sliding damper (exhaust).</p> <p><b>EDLH40-FB - EDLHB40-FB</b> hidden linear diffusers 30 mm slot with deflectors and sliding damper (supply).</p>	<p style="text-align: center;">↓</p> <p><b>FA</b> 20 mm slot</p> <p><b>FB</b> 30 mm slot</p>	<p style="text-align: center;">↓</p> <p><b>Lenght L (mm)</b> 800 1000 1200 1500 2000</p>	<p style="text-align: center;">↓</p> <p><b>1F</b> 1 slot</p> <p><b>2F</b> 2 slot</p> <p><b>3F</b> 3 slot</p>



**Head quarter**

**ECOCLIMA SRL**  
Via Caduti di Russia, 19  
35010 Curtarolo - PADOVA - ITALY  
P. +39 049 9620344  
info@ecoclima.com

**Sales office Italy**  
info@ecoclima.com

**Sales office international**  
francesca@ecoclima.com

[ecoclima.com](http://ecoclima.com)    



**CERTIFIED SYSTEM**  
ISO 9001  
ISO 50001  
ISO 45001  
ISO 14001  
Certified Management System