

# INDUSTRIAL EXHAUST STEEL GRILLES 50 MM PITCH



## Series EGZ50

Return air grilles manufactured from heavy-duty steel profile. Fixed blades are set at 45° with 50 mm blade pitch.

Material: steel.  
Finish: galvanized.  
Installation: front screw fixing.  
min. width 200 mm x height 200 mm  
max. width 2500 mm x height 2500 mm.

## APPLICATION

Grille suitable for both air return and air exhaust applications. Suitable for both indoor and outdoor installation.

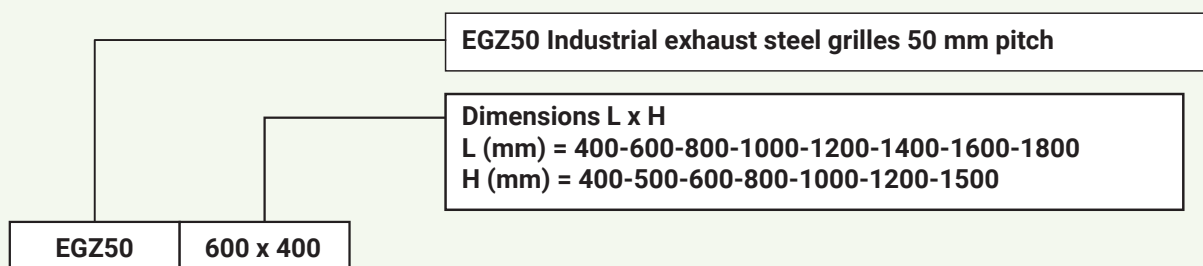
## ACCESSORIES

- CTP mounting frame

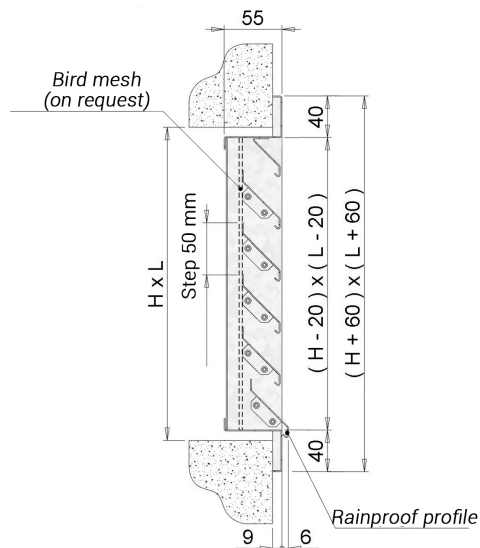
## ON DEMAND

Powder coating in custom RAL colours;  
bird mesh.

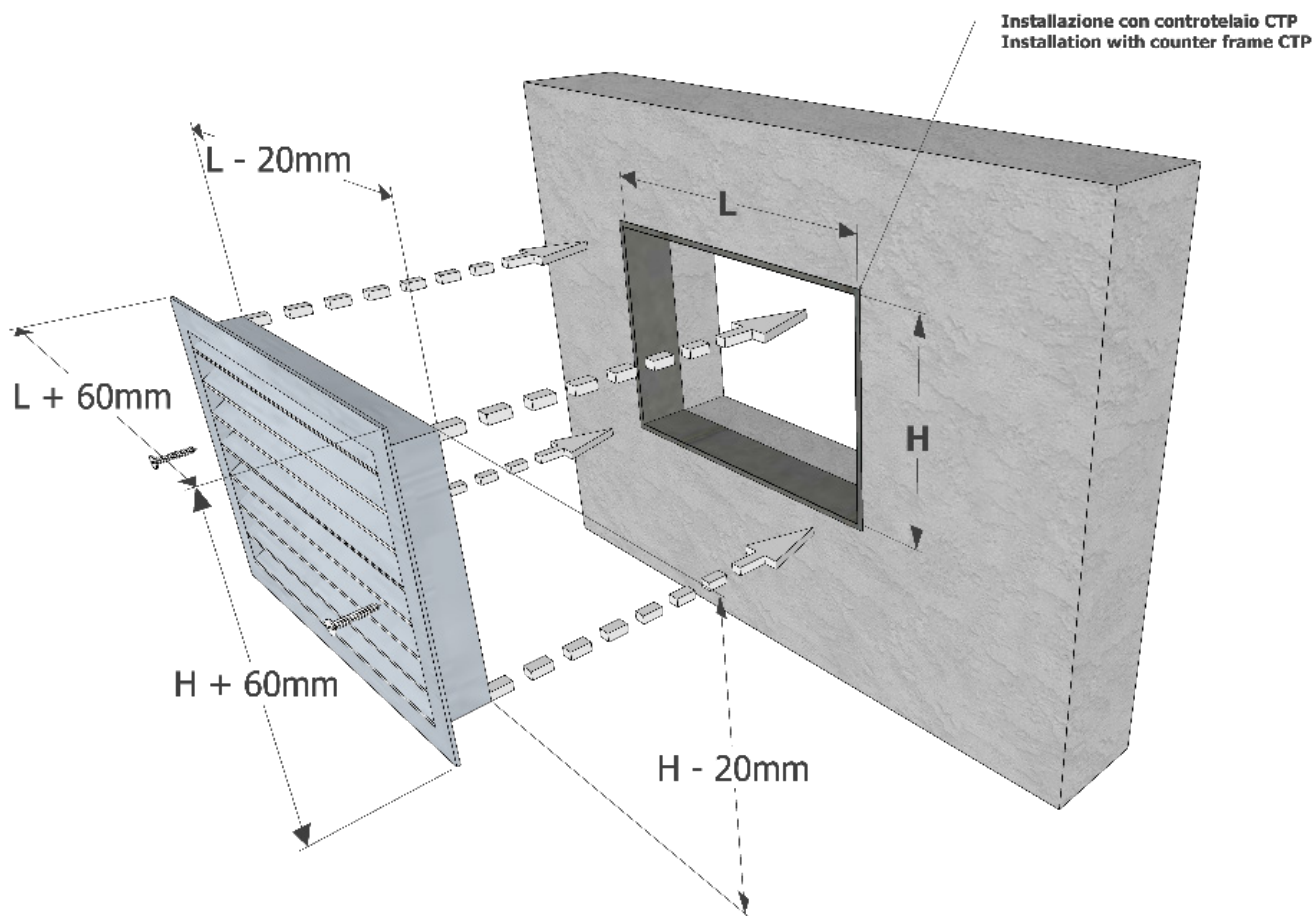
## CODE



## DIMENSION



## INSTALLATION





CTP: mounting frame for wall-mounted installation, manufactured from galvanized steel, ideal for grille installation.

## SOUND PRESSURE LEVEL

Vk m/s	dB(A)
4	25/30
6	35/45

## PRESSURE DROP (PA)

Vk m/s	Pa
4	16
6	45

## EFFECTIVE AREA

H	L							
	400	600	800	1000	1200	1400	1600	1800
400	0,067	0,102	0,138	0,173	0,208	0,243	0,279	0,314
500	0,087	0,132	0,178	0,224	0,270	0,315	0,361	0,407
600	0,107	0,163	0,219	0,275	0,331	0,387	0,443	0,499
800	0,146	0,223	0,300	0,377	0,454	0,530	0,607	0,684
1000	0,186	0,283	0,381	0,479	0,576	0,674	0,772	0,869
1200	0,225	0,344	0,462	0,581	0,699	0,818	0,936	1,054

## OPERATING DATA

H	Vk m/s	L							
		400	600	800	1000	1200	1400	1600	1800
		airflow m³/h							
400	4	965	1475	1980	2490	2995	3505	4015	4520
	6	1450	2210	2970	3735	4495	5260	6020	6780
	8	1930	2950	3965	4980	5995	7010	8025	9045
500	4	1250	1910	2565	3225	3880	4540	5195	5855
	6	1875	2860	3850	4835	5820	6810	7795	8780
	8	2500	3815	5130	6445	7760	9080	10395	11710
600	4	1535	2345	3150	3955	4765	5570	6380	7185
	6	2300	3515	4725	5935	7145	8360	9570	10780
	8	3070	4685	6300	7915	9530	11145	12760	14375
800	4	2105	3210	4320	5425	6530	7640	8750	9855
	6	3155	4815	6475	8135	9800	11460	13120	14780
	8	4205	6420	8635	10850	13065	15280	17490	19710
1000	4	2675	4080	5485	6895	8300	9705	11110	12520
	6	4010	6120	8230	10340	12450	14560	16670	18780
	8	5345	8160	10970	13785	16600	19410	22225	25040

Vk: effective velocity (m/s)

m³/h: airflow rate

Pa: pressure drop in Pascal

dB(A): sound pressure level

L: width

H: height

All dimensions are expressed in mm.